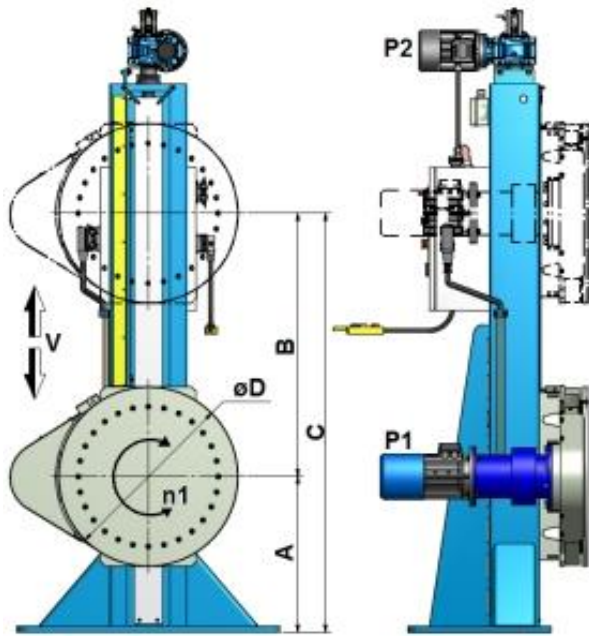
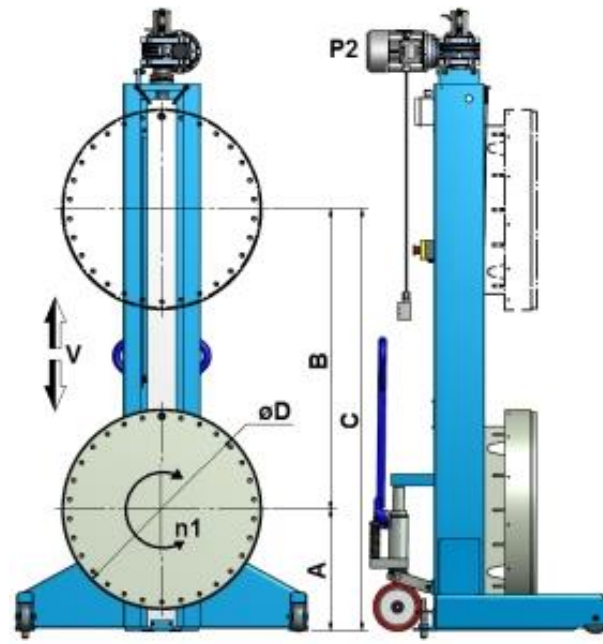


Model	Loading Capacity	Max Torque	Table rpm	Elevation Speed	Table ø	Min Height	Stroke	Max Height	Column Height	Column Weight X1
mod.	F - lbs	C1 Lbf.in	n1 max min <sup>-1</sup>	V <sub>full load</sub> in/min	D in	A in	B in	C in	in	Lbs
SLC 20	4,400	25,800	1	27.5	15.7x15.7	14	61	75	98.5	2,914
SLC 40	8,800	30,100	1	27.5	23.6	14	61	75	98.5	2,914
SLC 50	11,000	35,500	0,9	27.5	29.5	16	61	77	98.5	2,914
SLC 60	13,300	35,500	0,9	27.5	29.5	16	61	77	98.5	2,914
SLC 100	22,000	66,300	1,1	32	35.5	19.7	57	77	102	3,644
SLC 120	26,500	88,400	1,1	32	39.3	21.6	55	77	102	3,644
SLC 150	33,000	88,400	1,1	32	39.3	21.6	57	79	107	4,129
SLC 200	44,000	195,000	0,9	27.5	39.3	21.6	51	73	118	4,858
SLC 250	55,000	221,500	0,9	24	51.1	27.5	45	73	122	5,831

**Motorized Fixed Headstock**



**Portable Idler Tailstock**



- Higher Columns on customer demand
- Increased torque/ load capacity on customer demand
- Custom table design upon request

